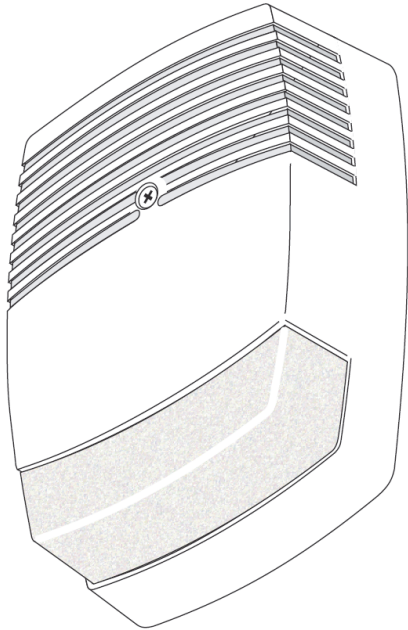


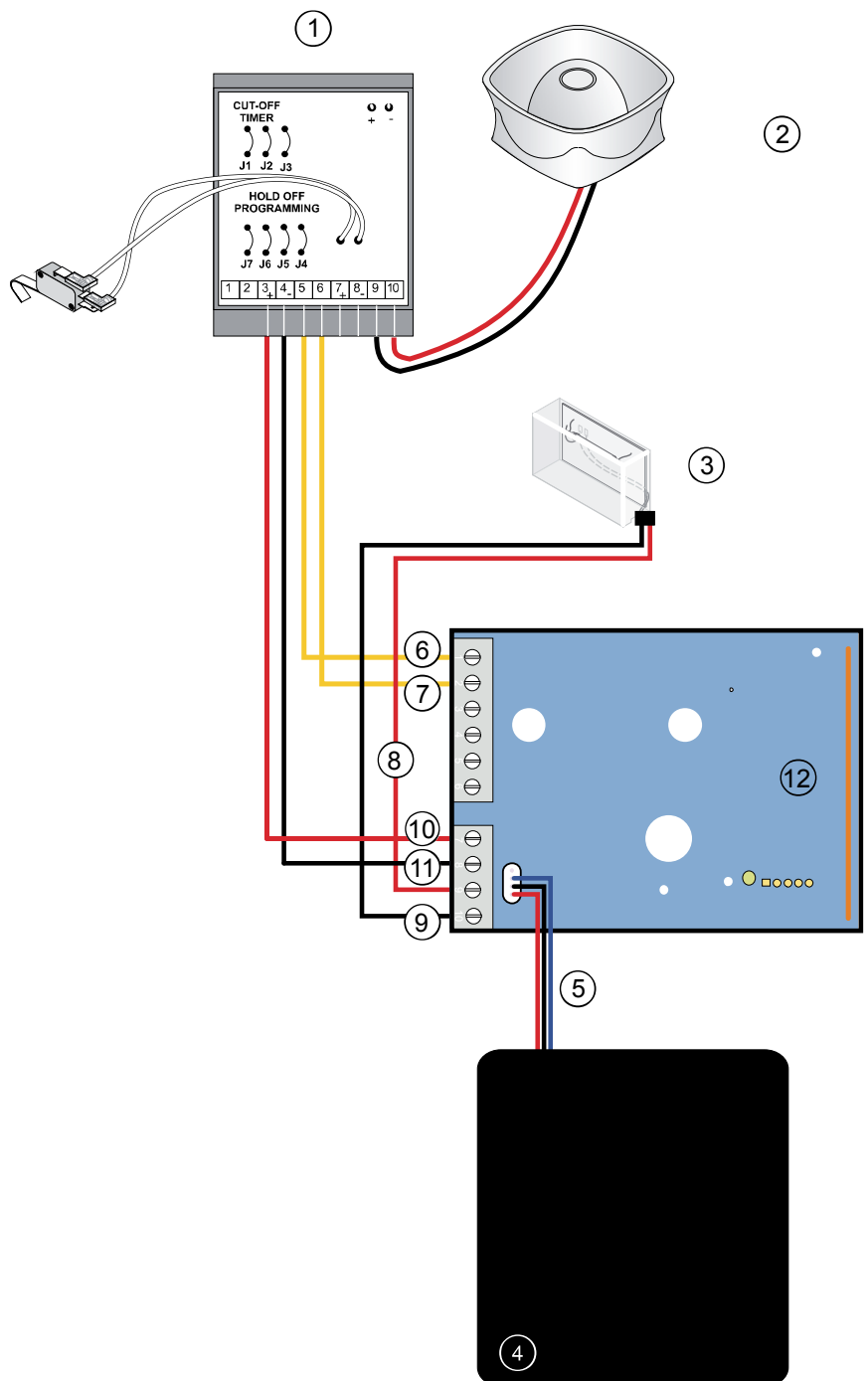
RF-7220-07-1 Wireless Outdoor Siren Installation Sheet

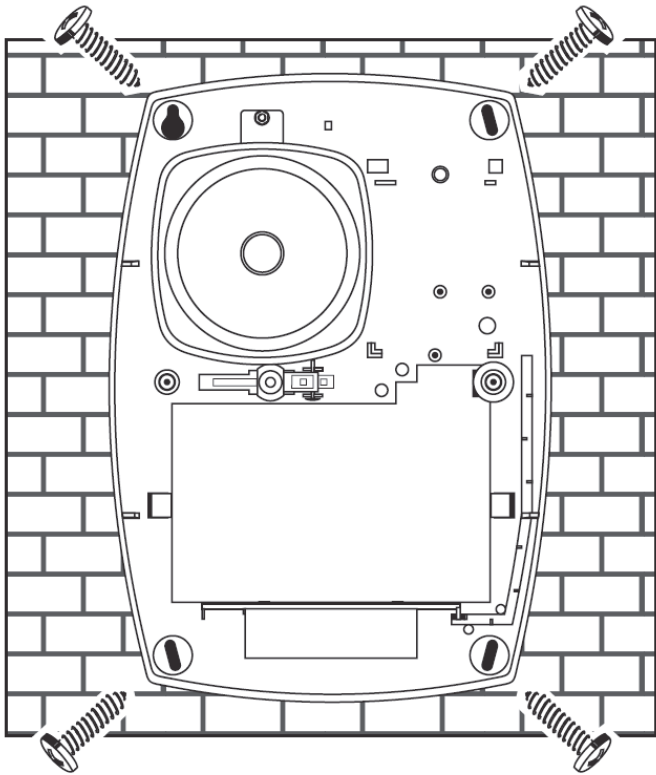
EN

1



2





EN: Installation Sheet

Wiring diagram

Figure 2 legend

(1) Siren PCB	(7) Tamper
(2) Speaker	(8) Beacon + (red)
(3) Beacon	(9) Beacon- (black)
(4) 4X lithium battery pack (not included)	(10) Siren driver + (red)
(5) IO module power cable (black)	(11) Siren driver - (black)
(6) Tamper	(12) IO module PCB

Learning-in an outdoor siren

You have to learn-in the siren before mounting it to the desired position. In order to add a wireless siren to the system perform the following steps:

1. Enter the programming mode on the panel
2. Enter your username and password and then click Sign In.
3. Click Settings.
4. Click Zones.
5. The outdoor siren will occupy maximum 4 zone numbers. Click "Select Zone to Configure" to set the first zone number of the outdoor siren.
6. Click Learn.
7. Power up the outdoor siren with the tamper switch open.
8. Wait for module LEDs to blink on, then off.
9. Close tamper switch for 2 seconds, then reopen within 5 seconds.
10. The screen will indicate the outdoor siren has been learnt-in and a serial number will appear. Read the pop up messages.
11. Select Outdoor Siren as the application.
12. Click Save when done.

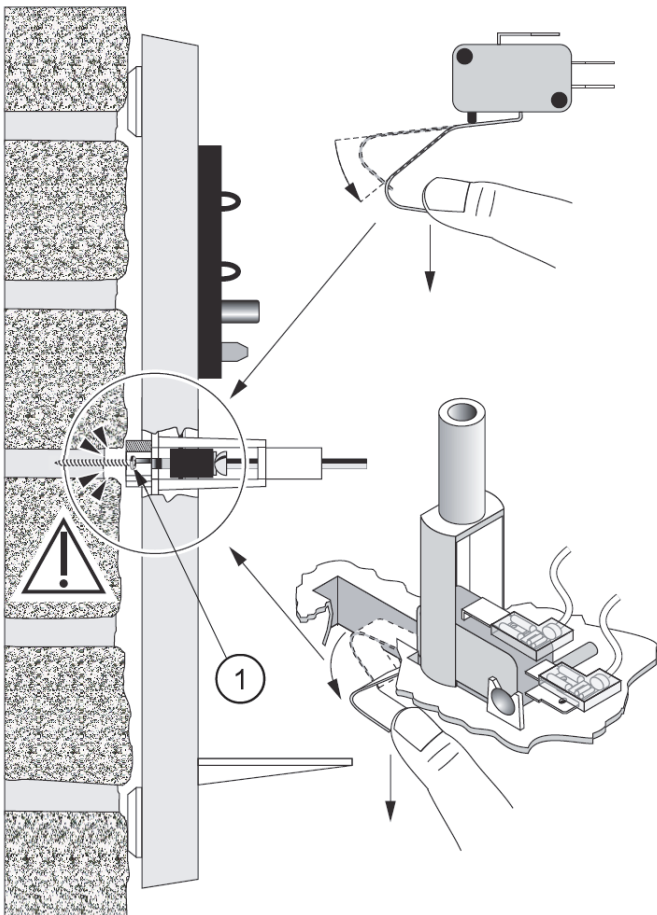
Mounting the siren





For mounting instructions, see *Figure 3*. Pay attention to the precise placement of the tamper switch against the wall. To comply with an EN50131-4 grade 2 installation, please take special care of positioning the tamper switch lever to the wall, and insert a screw in the wall opposite to the tamper switch lever. This screw has to be adjusted in height in order to press adequately on the tamper switch lever so that the microswitch is in a "closed" position and resting on the screw's head instead of the wall (see *Figure 4*, position 1). The siren needs to signal a tamper alarm when the unit is taken more than 5 mm from its mounting surface (see *Figure 4*).

Siren configuration

To allow the IO module to control the output on the outdoor siren, you need to cut jumper 3 and then optionally 1 and/or 2.

Jumper 3 is a start-up protection. Jumpers 1 and 2 are responsible for timer settings, and you can cut one of them or both, according to the table below.



Timer setting		
Time	J1	J2
3 minutes (ex-factory)		
5 minutes		
10 minutes		
20 minutes		

Safety instructions

WARNING: Do not open the flash housing. Risk of high voltage.

Battery replacement and removal

Caution: Batteries can explode or cause burns when recharged, incorrectly (dis)assembled, or exposed to fire or high temperatures.

Dispose of used battery according to battery directive instructions and/or as required by local laws. Keep away from children.

To remove the batteries from the outdoor siren, please pull the black plastic strap that holds the battery pack. Only replace the batteries with the standard lithium battery pack BS7201-N. Do not use a different type of lithium batteries.

Note: The lithium battery pack BS7201-N is not included with the siren, and must be purchased separately.

Specifications

Power supply specifications

Number and type of batteries	BS7201-N, 4-cell custom battery pack, lithium (purchased separately)
Battery capacity	12.5 Ah
Electronics, board operating voltage	3.0 VDC
Siren/flash light part operating voltage	12.0 VDC
Battery lifetime (typical)	3 years *
Current consumption – IO module (typical)	140 µA at 3.0 VDC ± 10%
Current consumption – siren (typical)	340 mA at 12.0 VDC ± 10%
Current consumption – beacon (typical)	74 mA at 12.0 VDC ± 10%


Environmental

Operating temperature	-25°C to +50°C
Humidity	max 95%, non condensing
Shipping weight	2.3 kg
Enclosure dimensions	310 x 222 x 91 mm
EN 50131 grade and class	Security Grade 2, Environmental Class III

* Assumption: maximum 20 siren activations of 3 minutes and beacon activations of 15 minutes per year.

Regulatory information

Manufacturer	UTC Fire & Security Americas Corporation, Inc. 1275 Red Fox Rd., Arden Hills, MN 55112-6943, USA Authorized EU manufacturing representative: UTC Fire & Security B.V. Kelvinstraat 7, 6003 DH Weert, Netherlands
--------------	---

EU compliance 

Certification	EN 50131-5-3:2005 EN 50131-5-3/A1:2008 EN 50131-4:2009 Tested and certified by Telefication B.V.
---------------	---



2012/19/EU (WEEE directive): Products marked with this symbol cannot be disposed of as unsorted municipal waste in the European Union. For proper recycling, return this product to your local supplier upon the purchase of equivalent new equipment, or dispose of it at designated collection points. For more information see: www.recyclethis.info.



2006/66/EC (battery directive): This product contains a battery that cannot be disposed of as unsorted municipal waste in the European Union. See the product documentation for specific battery information. The battery is marked with this symbol, which may include lettering to indicate cadmium (Cd), lead (Pb), or mercury (Hg). For proper recycling, return the battery to your supplier or to a designated collection point. For more information see: www.recyclethis.info.

UTC Fire & Security hereby declares that this device is in compliance with the applicable requirements and provisions of one or more of the Directives 1999/5/EC, 2014/30/EU and 2014/35/EU. For more information see: www.utcfireandsecurity.com.

Contact information

www.utcfireandsecurity.com or www.interlogix.com

Customer support

For customer support, see www.utcfssecurityproducts.eu