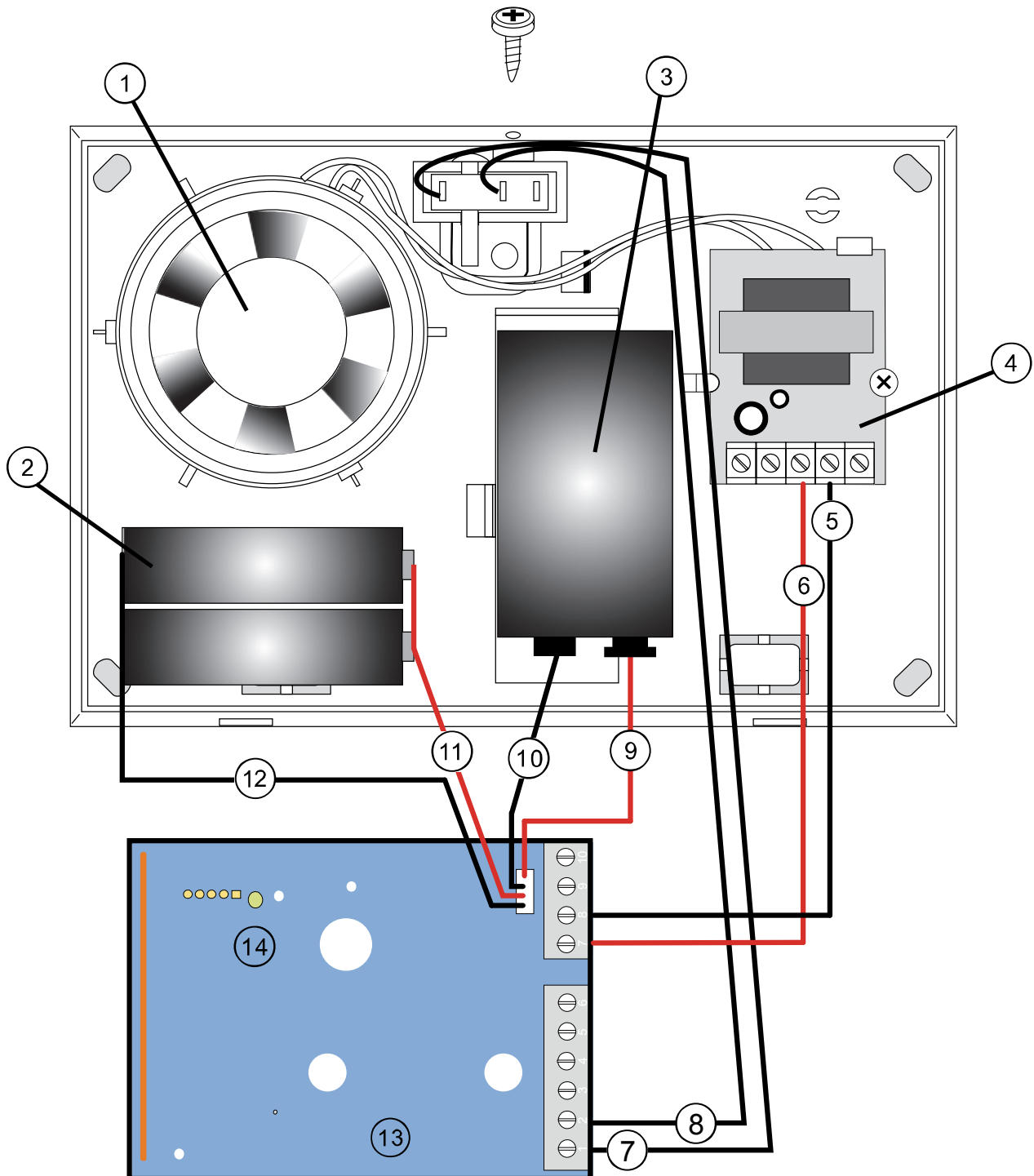


RF-7120-07-1 Wireless Indoor Siren Installation Sheet

EN



EN: Installation Sheet

Wiring diagram

Figure 1 legend

- | | |
|--------------------------|-------------------------------|
| (1) Speaker | (8) Tamper |
| (2) 4x AA battery pack | (9) 9 V battery terminal (+) |
| (3) 9 V battery | (10) 9 V battery terminal (-) |
| (4) Siren PCB | (11) 4x AA battery pack (+) |
| (5) Siren driver (minus) | (12) 4x AA battery pack (-) |
| (6) Siren driver (plus) | (13) IO module PCB |
| (7) Tamper | (14) I/O module LED |

Learning-in an indoor siren

You have to learn-in the siren before mounting it to the desired position. In order to add a wireless siren to the system perform the following steps:

1. Enter the programming mode on the panel
2. Enter your username and password and then click Sign In.
3. Click Settings.
4. Click Zones.
5. The indoor siren will occupy maximum 4 zone numbers. Click "Select Zone to Configure" to set the first zone number of the indoor siren. If the I/O module is only used as indoor siren it will be one zone.
6. Click Learn.
7. Power up the indoor siren with the tamper switch open.
8. Wait for module LEDs to blink on, then off.
9. Close tamper switch for 2 seconds, then reopen within 5 seconds.
10. The screen will indicate the module has been learnt and a serial number will appear. Read the pop up messages. Click cancel for indoor siren with no other inputs as only one zone will be learned in.
11. Select Indoor Siren as the application.
12. Click Save when done.

Mounting the siren

To install the siren according to EN50131-4 grade 2, you need to enable the pry-off tamper. Mount the screw provided through the tamper hole to allow pry-off tamper detection.

Battery replacement and removal

Caution: Batteries can explode or cause burns when recharged, incorrectly (dis)assembled, or exposed to fire or high temperatures.

Dispose of used battery according to battery directive instructions and/or as required by local laws. Keep away from children.

To replace batteries, please remove the AA batteries from the battery holder. Disconnect and remove the 9 V battery from the holder. Only replace the batteries with the Energizer or

Duracell AA and 9 V batteries. Do not use a different type of batteries. Always use batteries that are from the same batch, and always replace all batteries with fresh ones simultaneously.

Specifications

Power supply specifications

Electronics	Number and type of batteries	4 x AA size, 1.5 V, primary cell
	Battery capacity	5600 mAh
	Board operating voltage	2.1 V ... 3.1 VDC
Siren part	Number and type of batteries	1 x 9V size block, primary cell
	Battery capacity	600 mAh
	Operating voltage	9 V ... 12 VDC
	Battery lifetime, typical	3 years*
	Current consumption – IO module (typical)	160 uA at 3.1 VDC ±5%
	Current consumption – siren (typical)	105 mA at 12 VDC ±5%


General feature specifications

Environmental	Operating temperature	-10°C to +40°C
	Humidity	max 95%, non condensing
	Shipping weight	470 g
	Enclosure dimensions	160 x 110 x 42 mm
	EN 50131 grade and class	Security Grade 2, Environmental Class II

* Assumption: maximum 20 siren activations of 3 minutes per year.

Regulatory information

Manufacturer	UTC Fire & Security Americas Corporation, Inc. 1275 Red Fox Rd., Arden Hills, MN 55112-6943, USA Authorized EU manufacturing representative: UTC Fire & Security B.V. Kelvinstraat 7, 6003 DH Weert, Netherlands
--------------	------------------------------------------------------------------------------------------------------------------------------------------------------------------------------------------------------------------------------

EU compliance 

Certification	EN 50131-5-3:2005 EN 50131-5-3/A1:2008 EN 50131-4:2009 Tested and certified by Telefication B.V.
---------------	-----------------------------------------------------------------------------------------------------------



2012/19/EU (WEEE directive): Products marked with this symbol cannot be disposed of as unsorted municipal waste in the European Union. For proper recycling, return this product to your local supplier upon the purchase of equivalent new equipment, or dispose of it at designated collection points. For more information see: www.recyclethis.info.



2006/66/EC (battery directive): This product contains a battery that cannot be disposed of as unsorted municipal waste in the European Union. See the product documentation for specific battery information. The battery is marked with this symbol, which may include lettering to indicate cadmium (Cd), lead (Pb), or mercury (Hg). For proper recycling, return the battery to your supplier or to a designated collection point. For more information see: www.recyclethis.info.

UTC Fire & Security hereby declares that this device is in compliance with the applicable requirements and provisions of one or more of the Directives 1999/5/EC, 2014/30/EU and 2014/35/EU. For more information see: www.utcfireandsecurity.com.

Contact information

www.utcfireandsecurity.com or www.interlogix.com

Customer support

For customer support, see www.utcfssecurityproducts.eu