

MTT BOARD

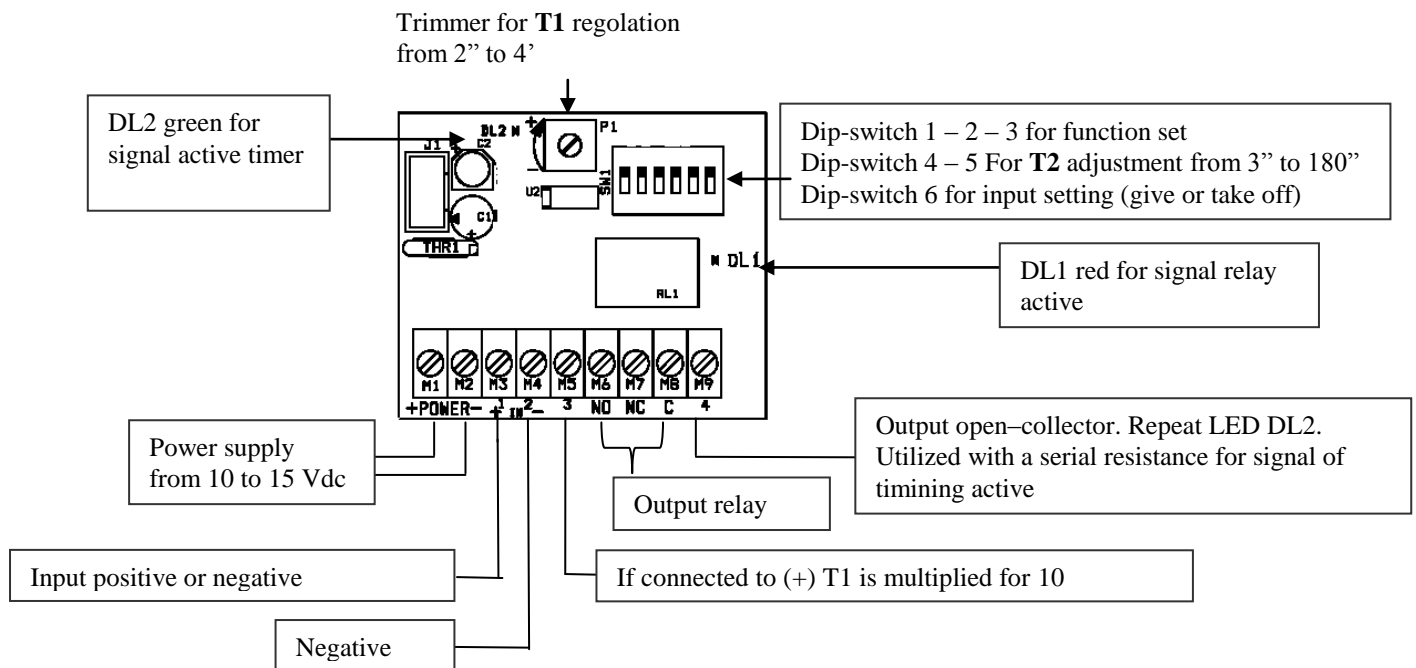
Multifunction board for all timings

Features:

The MTT is a multifunction board that allows the timing and / or delaying of an input positive or negative. It has a LED DL1 for signal relay active and DL2 to report active timer.

Connection:

Set the dip-switch then connect the power supply 13,8 Vdc to the terminal + POWER – and the input signal to the terminal 1. Use the terminal NO NC C on the board for connecting the device.



Change timing:

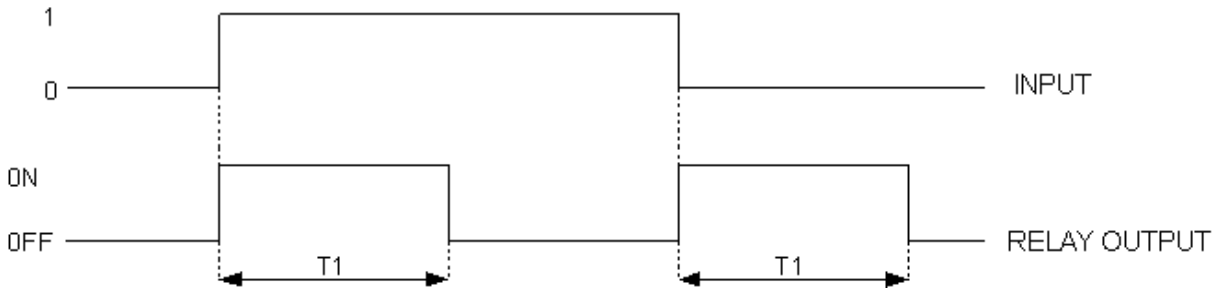
- The trimmer P1 to adjust the time **T1** from 2" (standard) to 257" (~4,2 minutes) rotate clockwise.
- The dip-switch 4 and 5 used to adjust **T2** from 3" (standard) to 180".
- Input 3, if connected to the positive (+) makes **T1** adjustable from 20" to 2570" (~42 minutes).

DIP-Switch	Input type	Graphic symbols
6		
ON (standard)	Positive or negative to give	1 = 0V or 12V 0 = floating
OFF	Positive or negative to taking off	1 = floating 0 = 0V or 12V

Function:

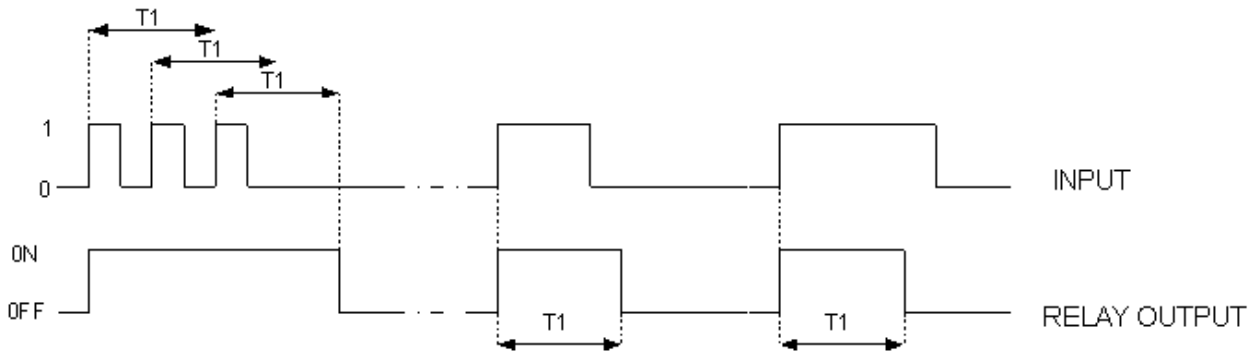
Function A: (dip1 ON – dip2 ON – dip3 ON)

When the input signal changes from state 0 to 1 and vice versa, the output relay is activated for the time T1.



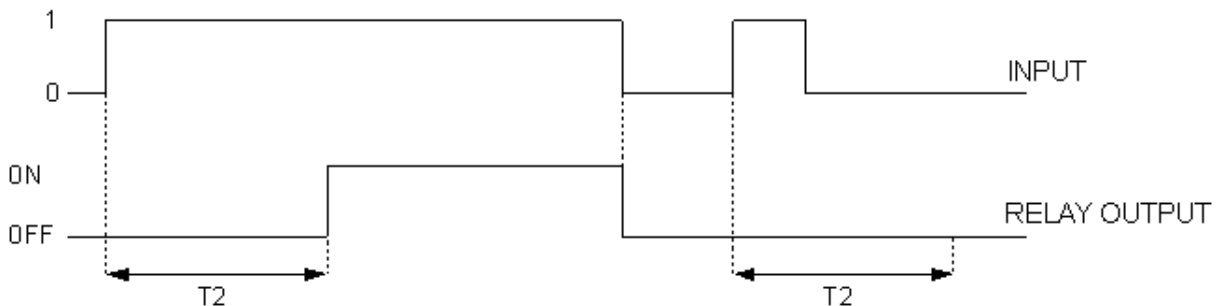
Function B: monostable output with retrigger (dip1 OFF – dip2 ON – dip3 ON)

When the input signal changes from state 0 to 1 the output relay is activated for the time T1. The time T1 re-start every positive input (retrigger).



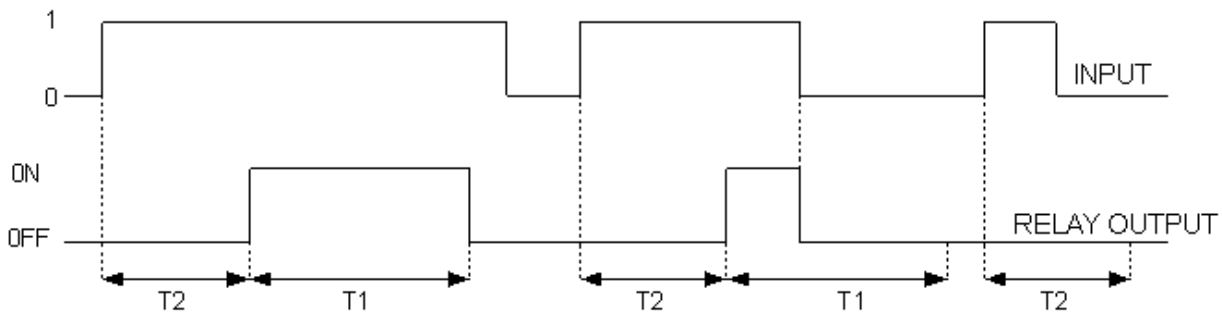
Function C: (dip1 ON – dip2 OFF – dip3 ON)

When the input signal changes from state 0 to 1, after a delay period T2, the relay is activated and remains active until the return to quit of the input signal. If the input signal is shorter than T2 the relay is not activated.



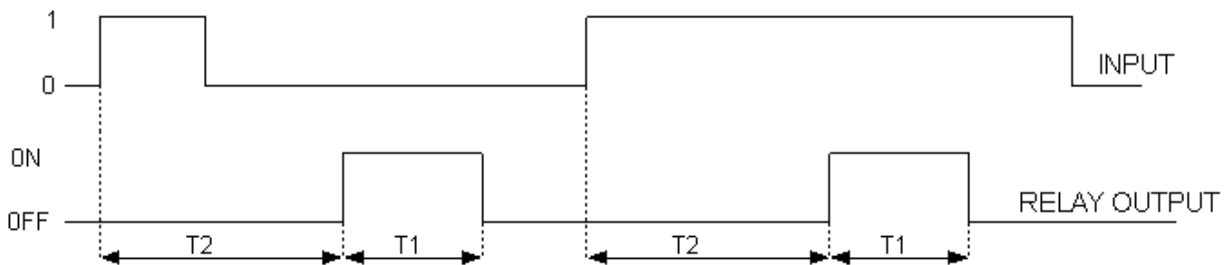
Function D: (dip1 OFF – dip2 OFF – dip3 ON)

When the input signal changes from state 0 to state 1, after a delay period T2 the relay is activated and remains active for the time T1. If the input ends before the end of T1 the relay returns to quiet. If the input ends before the end of T2 the relay is not activated.



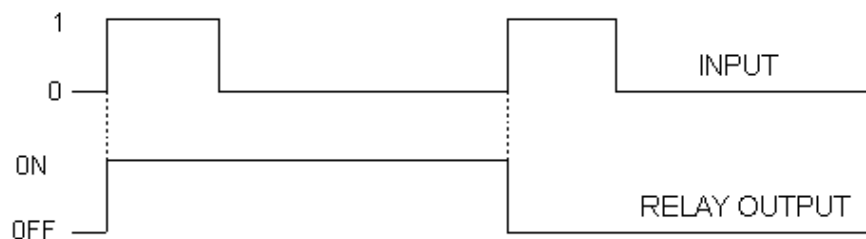
Function E: (dip1 ON – dip2 ON – dip3 OFF)

When the input signal changes from state 0 to state 1 after a delayed period T2, the relay is activated and remains active for the time T1.



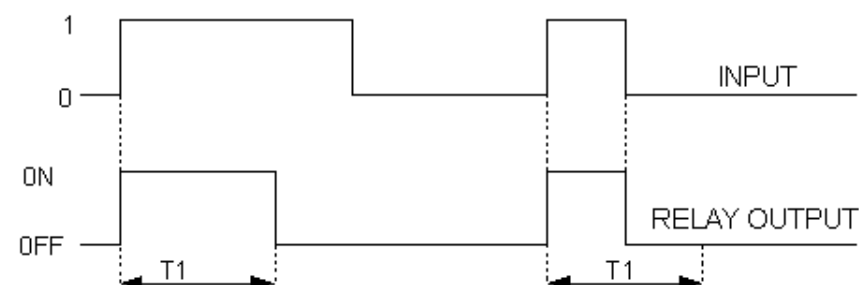
Function F: STEP-STEP (dip1 OFF – dip2 ON – dip3 OFF)

When the input signal changes from state 0 to state 1 the output relay is activated and deactivated sequentially.



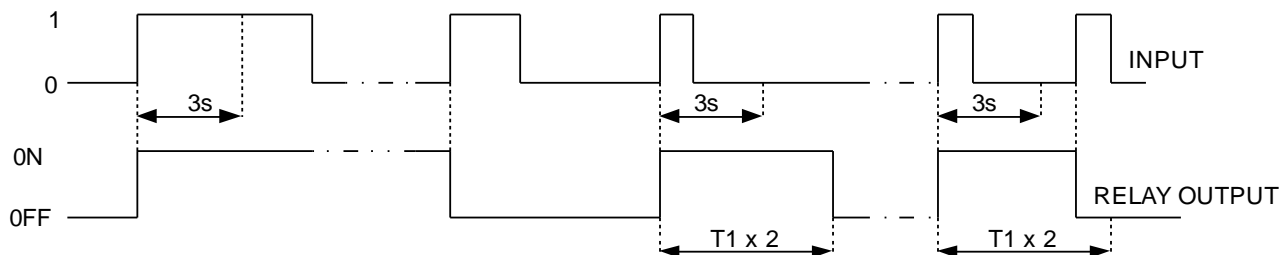
Function G: (dip1 ON – dip2 OFF – dip3 OFF)

When the input signal changes from state 0 to state 1 the output relay is activated for the time T1. If the input ends before the end of T1 the relay returns to quiet.



Function H: (dip1 OFF – dip2 OFF – dip3 OFF) standard

When the input signal changes from state 0 to state 1 the output relay is activated and deactivated sequentially. If the input goes on quiet earlier than three seconds the relay is deactivated after the time $T1 \times 2$ or on the following state change from 0 to 1 if it is less than $T1 \times 2$.



Dip-Switch setting

DIP Switch	FUNCTION							
	A	B	C	D	E	F	G	H
DIP 1	ON	OFF	ON	OFF	ON	OFF	ON	OFF (standard)
DIP 2	ON	ON	OFF	OFF	ON	ON	OFF	OFF (standard)
DIP 3	ON	ON	ON	ON	OFF	OFF	OFF	OFF (standard)

DIP Switch	T2 (sec)			
	3	5	60	180
DIP 4	ON	OFF	ON	OFF
DIP 5	ON	ON	OFF	OFF

O.C. Output function:

The open-collector output repeats the LED DL2 during T2 or during the 3 seconds of function H. After those function it is fixed active following the relay state. Is useful, when the timing is longer, to see when a command is being processed. We recommend a series resistance of 1kOhm (not supplied) for voltages up to 15V.

Specifications:

Power supply from 10Vdc to 15 Vdc
 Current consumption 7mA (standby), 20mA (relay active)
 Input from 0Vdc to 15Vdc
 Output 1 relay output max 1A
 1 open-collector output see O.C. Output function
 Dimension D18 mm x L45 mm x H55 mm
 Weight 38g



WASTING:
 This product must be wasted in appropriate wheelle-bin for electric and electronic materials.
 Do not put in weelle-bin for other kind of waste.

Guarantee: All Venitem products are guaranteed for manufacturing or material defects. With the aim of improving design and quality of its products, Venitem retains the right to modify the products without any warning. All defective or failed products have to be returned to the own supplier.

Via del Lavoro, 10 - 30030 Salzano (VE) Tel. (+39) 041 5740374 – Fax (+39) 041 5740388
 Web sire www.venitem.com E-mail info@venitem.it