



Passive Infrared

Door Sensor

OP-08C



Security

Reliable

Flexible

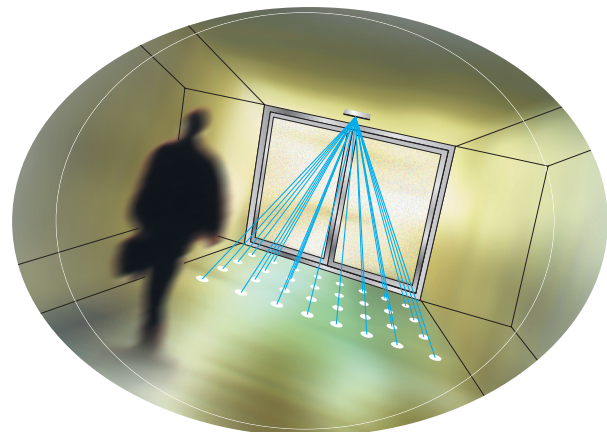
Fail secure

Passive Infrared **fail safe** activation

QUALITY

Large detection area REQUEST TO EXIT

The Optex OP-08C passive infrared door sensor is a reliable and cost effective sensor for request-to-exit and security applications. The compact housing makes it easy to install in surface, recessed or ceiling applications.



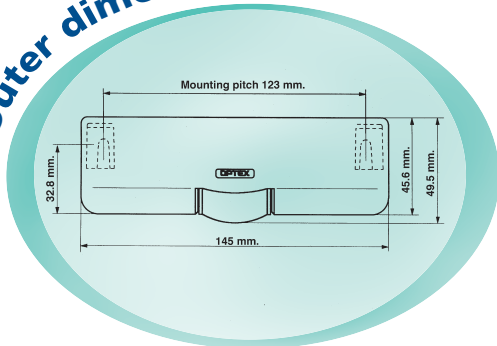
Flexible installation

The Optex OP-08C is very easy to install. Its compact size is ideal for mounting on the header, transom or ceiling, up to 4m (13 feet) high.

Large detection area

The detection pattern of the OP-08C consists of 10 individual zones, providing high sensitivity even in large areas. Rotating the spherical lens easily changes the detection area from standard to large size. By using area masking seals, the detection pattern's size and shape can be further customized to best fit the application.

Outer dimensions



Passive Infrared Door Sensor

Specifications

Model	OP-08C
Mounting Height	max. 13'1" (4.0m)
Detection Area Adjustments	See chart
Detection Technique	Passive Infrared
Power Supply	12 - 24VAC/DC
Current Draw	50mA max.
Power/Operating Indicator	LED ON: Standby LED OFF: Detection
Output Contact	Form C Relay 50V, 0.3A (Resistance Load)
Relay Hold Time	Approx. 1.5s
Operating Temperature	-4°F - +131°F (-20°C - +55°)
Outer Dimensions	123 x 50 x 32mm (w x h x d)
Weight	3.2oz. (90g)
Accessories	2m Connection Cable 2 Mounting Screws Mounting Template Area Masking Seal
Available Colors	Black (OP-08CBL), Silver (OP-08CS) and White (OP-08CW)

Design

With a compact, sleek design, the OP-08 is ideal for virtually all light commercial applications. It can be recessed, surface mounted or ceiling mounted and comes in a choice of black, silver or white housing.

All conditions

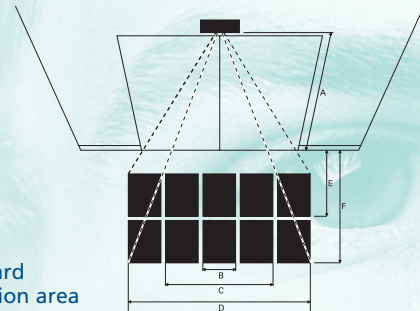
The OP-08's advanced circuitry minimizes false activations, making it ideal for environments with sunlight, wind, rain, snow or radio frequency noise.

Quality

Optex automatic door sensors guarantee premium performance and include a 3-year full replacement warranty.

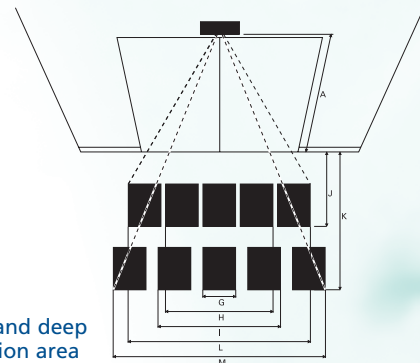
Detection area chart

Standard detection area



Mounting Height A	8'2" (2.50m)	9'8" (3.00m)	13'1" (4.00m)
Area Width B	1'0" (0.30m)	1'3" (0.40m)	1'6" (0.50m)
Area Width C	5'9" (1.80m)	6'9" (2.10m)	9'5" (2.90m)
Area Width D	11'8" (3.60m)	14'1" (4.30m)	18'7" (5.70m)
Area Depth E	2'6" (0.80m)	3'3" (1.00m)	4'3" (1.30m)
Area Depth F	7'5" (2.30m)	9'2" (2.80m)	12'1" (3.70m)

Wide and deep detection area



Mounting Height A	8'2" (2.50m)	9'8" (3.00m)	13'1" (4.00m)
Area Width G	1'6" (0.50m)	2'0" (0.60m)	2'6" (0.80m)
Area Width H	4'9" (1.50m)	5'9" (1.80m)	8'2" (2.50m)
Area Width I	8'2" (2.50m)	8'5" (2.90m)	12'8" (3.90m)
Area Depth J	4'6" (1.40m)	5'2" (1.60m)	7'2" (2.20m)
Area Depth K	10'8" (3.30m)	12'8" (3.90m)	17'1" (5.20m)
Area Width L	9'8" (3.00m)	12'1" (3.70m)	16'1" (4.90m)
Area Width M	16'4" (5.00m)	19'7" (6.00m)	26'6" (8.10m)