

Clarius®



Clarius® PLUS Short Range

The **Clarius® Plus** range of high performance Infra-Red LED illuminators are designed to provide class leading performance, long life and ultra low maintenance.

Incorporating the latest surface mount LED's with enhanced optical output and outstanding reliability, they deliver excellent night-time images.

Each unit is fitted with integrated control circuitry to carefully control LED output, delivering consistent illumination and projected working life in excess of 10 years.

The **Clarius® Plus** range of illuminators includes a new interchangeable lens diffuser system; which allows the user to quickly and easily alter the angle of illumination. Elliptical beam profiles allow more light to be delivered where it is needed, allowing both longer distances and minimising light wastage. The system also helps to prevent overexposure of foreground objects.

As standard the illuminator includes interchangeable lensing to deliver 10° circular, 30°x20°, 60°x30°, 80°x60° & 120°x50° elliptical beam profiles.

Installation is quick and easy, requiring only a 12-32V DC / 24V AC +/-10%.

PRODUCT FEATURES

- Short Range IR Illuminator
- Latest SMT **Dual Core LED™** Technology
- Distances Up To 45m (148')
- Angle 10, 30x20, 60x30, 80x60, 120x50
- Elliptical Beam Profiles
- 850nm or 940nm Wavelengths
- Low Power Consumption (13W)
- Long Life
- 5 Year Warranty
- IP66 Weather Proof Rating
- Built-in Photocell IR On/Off
- Photocell Following Contact
- Telemetry Input for
- Remote Switching
- 12-32V DV / 24V AC +/-10%
- **CleanLITE®** Self Cleaning Lens Coating Technology



INTERCHANGEABLE
DIFFUSER LENS

Recommended PSU ALT-30-24



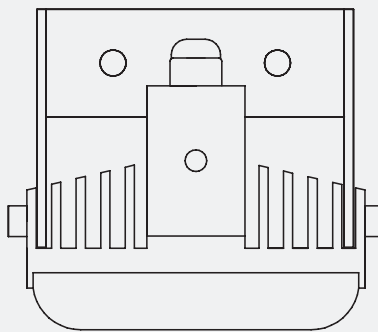
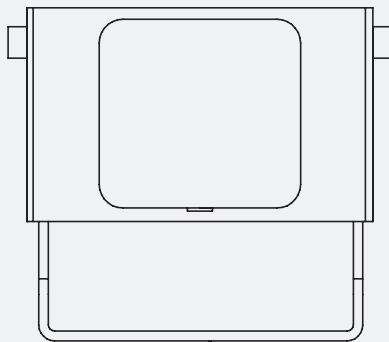
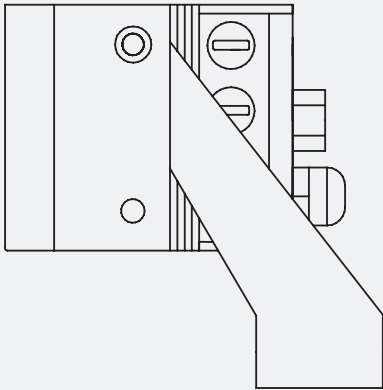
APPLICATIONS



MODEL NUMBER	WAVELENGTH	ANGLE	DISTANCE		FOV	
IS-8 850nm		10°	45m	148'	8m	26'
		30° x 20°	25m	82'	13m	43'
		60° x 30°	19m	62'	22m	72'
		80° x 40°	15m	51'	36m	117'
		120° x 50°	13m	43'	45m	148'
IS-9 940nm		10°	21m	69'	4m	13'
		30° x 20°	12m	39'	6m	20'
		60° x 30°	9m	30'	10m	32'
		80° x 40°	7m	24'	17m	55'
		120° x 50°	6m	20'	21m	69'

Other angles available on request.

TECHNICAL SPECIFICATIONS



GENERAL

Electronics	High Efficiency Surface Mount High Power Dual Core LEDs™ With Advanced Current Limited Integral Control Circuitry
Construction	Robust High Quality Aluminium Extrusion
Front Window	Polycarbonate High Transmission Protective (Vandal Proof) IR Filter with CleanLITE® Technology
Finish	Black Anodised
Power Cable	3m (9ft)
Interface Connector	Photocell Following Contact & Remote Telemetry Input
Pressure Equalisation Vent	Prevents Thermal Following Contact & Pressure Cycling
Photocell Illumination	Adjustable 20 -70 Lux
Operating Temperature	Adjustable 10% - 100%
Weight	-50° to 60°C (-58° to 140°F)
Mount	750g (1.6lbs)
Dimensions	Powder Coated Stainless Steel Wall Mount 68 x 110 x 78mm (2.68" x 4.33" x 3.07")

ELECTRICAL

Input Voltage	12-32V DC or 24V AC +/-10%
Input Current	0.6A at 24V AC
Consumption	15W

WAVELENGTH

Standard	850nm (Semi Covert). Faint Red Glow Only
Optional	940nm (Covert). Minimal Visible Glow

CERTIFICATION

Safety	EN60598:2004	Electrical Safety
	EN60825-1	Laser Eye Safety
IP	IP67 In Accordance With EN60529:1992	
EMC	EN61000, FCC Part 15. 107	
	15. 108 Class B	
WEEE	Waste Electrical & Electronic Equipment European Directive 202/96/EC	
RoHS	Restriction Of Hazardous Substance European Directive 202/95/EC	



www.qjd.co.uk | info@qjd.co.uk | +44 (0) 1706 363 998

Unit 2 Birch Business Park, Whittle Lane, Heywood, Lancashire, OL10 2SX