

SSC-2000(P)

System Keyboard



Summary

SSC-2000, system keyboard, is a controller that controls Cameras, DVR, Multiplexer and other devices by using RS-485 communication. It is easy to operate with a user-friendly on-screen menu, touch screen, and robust keys. The 3-axis joystick supports control of PTZ functions. This keyboard can control up to 256 cameras and other serially controlled devices such as multiplexers and DVRs. Maximum 32 keyboards can be connected simultaneously and controlled from different places.



SSC-2000(P)

System Keyboard

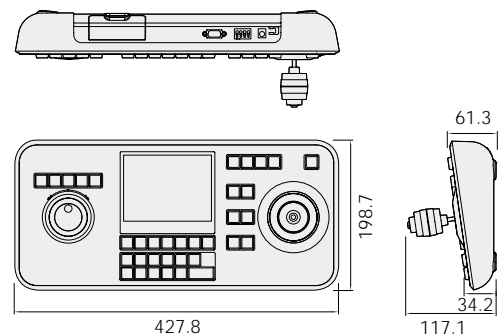
Features

- Long distance control : Up to 1.2km on RS-485 communication.
- Maximum 32 keyboards can be connected simultaneously
- 5.7" graphic panel
- Durable 3-axis PTZ joystick
- User friendly touch screen interface
- Camera, DVR and multiplexer selection
- Jog/Shuttle controls

Rear Panel



Dimensions (unit : mm)



Specifications

		SSC-2000(P)
Interface Type (RS-485)	Connector Type	4P Terminal Type
	Port	1 Port
	Baud Rate	4,800/9,600/19,200/38,400bps
Interface Type (RS-232C)	Connector Type	D-SUB 9P
	Port	1 Port
	Baud Rate	600/1,200/2,400/4,800/9,600/19,200/38,400/57,600bps
LCD Panel		5.7" Graphic Panel(320 x240 line) + Touch Panel
	Viewing Angle	Left(39), Right(32), Rear(10), Front(30)
	Inclination Angle	Min(8.4), Max(15.9)
LED		Monitor, Camera, Multiplexer, DVR
Pan/Tilt & Lens Control	PAN	Left/Right
	Tilt	Up/Down
	Iris	Close/Open
	Focus	Near/Far
	Zoom	Tele/Wide
DVR Control		Preset, Pattern, Auto Pan, Scan
	SW	RW, Stop, Play, FF, REC.
	Jog/Shuttle	Forward/Reverse, Play/Reverse Play/FF/RW
Power		DC12V, 600mA
Power Consumption		BELOW 3W
Dimensions(W x D x H)	Net	427.8 x 198.7 x 117.1
	Package	496 x 206 x 288
Weight	Net	1.36Kg
	Package	2.6Kg

* Design and specifications are subject to change without notice.



SAMSUNG ELECTRONICS CO.,LTD.

Digital Video Division

416, Maetan-3Dong, Yeongtong-Gu, Suwon City, Gyeonggi-Do, Korea 443-742

Tel: +82-31-200-5504, 5578 Fax: +82-31-200-5594

<http://www.securitysamsung.com>