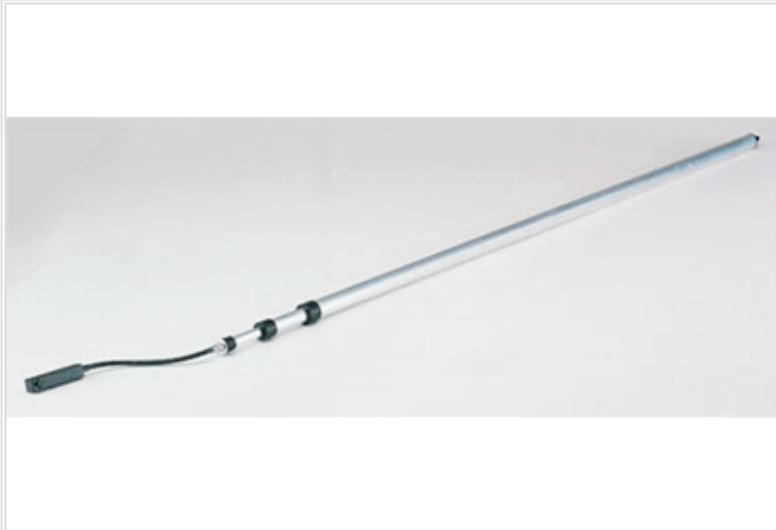


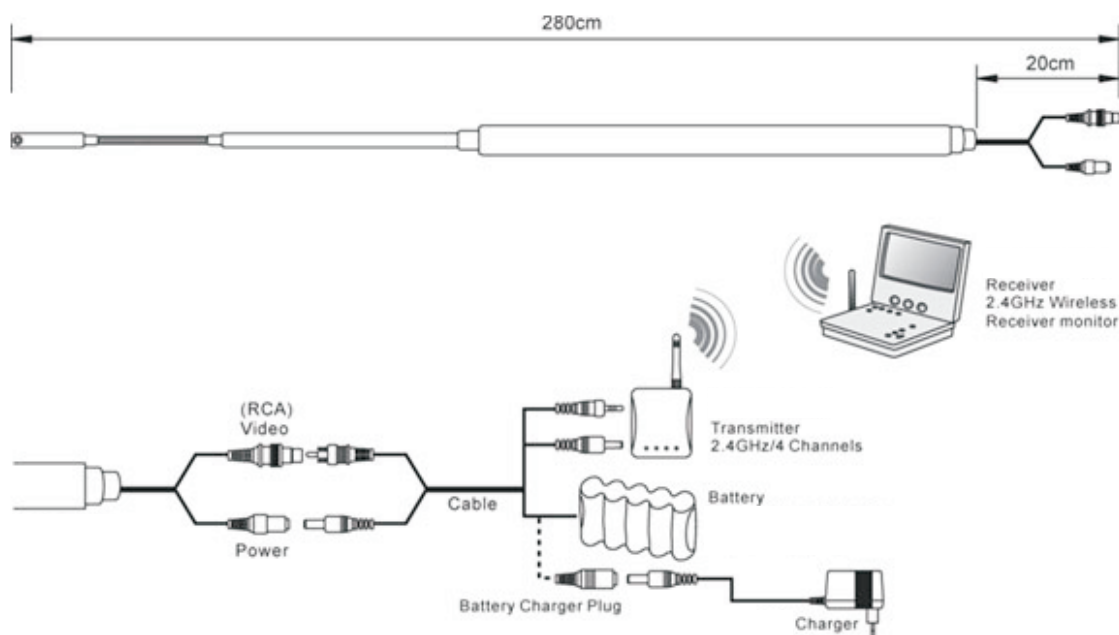
Color CCD camera on a gooseneck which is attached to an extending hollow aluminium tube. Designed for inspection of difficult locations



FEATURES

- 1/4" DSP Color Camera
- Resolution 380 Lines
- 4 x Hi illumination LED's
- Auto white balance
- Extending to approx 3 meters
- Cable run inside the tube

DRAWINGS, DIAGRAMS OR ILLUSTRATIVE IMAGES FOR YOUR GUIDANCE



TECHNICAL DATA FOR GUIDANCE PURPOSES ONLY PLEASE VERIFY WITH OUR SALES OFFICE

Image Sensor	1/4" CCD
Picture Elements	EIA/NTSC 510H x 492V CCIR/PAL 500H x 582V
Horizontal Frequency	EIA/NTSC 15.734kHz CCIR/PAL 15.625kHz
Vertical Frequency	EIA/NTSC 60Hz CCIR/PAL 50Hz
Clock Frequency	EIA/NTSC 19.0699Mhz CCIR/PAL 18.9375 Mhz
Horizontal resolution	380 Lines
Illumination	1 Lux
Scanning System	2:1 Interlace
Signal to Noise ratio	52dB
Electronic Shutter Speed	1/120,000 sec
Lens	Pin Hole 3.7mm f2.0
Video Output	1V pp 75 Ω
Gamma	0.45
White Balance	Auto Tracing
Power Supply	6V DC @ 270ma
Weight	550g
Dimensions	Extending = 3 meters
Storage Temperature	-30°C ~ +60°C
Operating Temperatures	On application