

- Indoor/outdoor installations
- Stainless steel screws
- Black epoxy powder painted
- Weatherproof standard IP66 (IR50) and IP65 (IR300)

IR infrared illuminators are made from die-cast aluminium; painted with epoxy polyester; they ensure high protection and environmental adaptability. The infrared beam has a wavelength of 850 nm. IR illuminators are assembled with stainless steel screws and "O" rings which guarantee a IP66 weatherproof standard (IP65 for IR300). Lamps with different light beams (spot, flood, wide flood) are available.



ILLUMINATORS:	
IR50SP1	Outdoor IR illuminator spot
IR50FL1	Outdoor IR illuminator flood
IR50WFL1	Outdoor IR illuminator wideflood
IR50FL2	Outdoor IR illuminator flood
IR300SP2	Outdoor IR illuminator spot
IR300FL2	Outdoor IR illuminator flood
IR300WFL2	Outdoor IR illuminator wideflood

ACCESSORIES:	
IRPS12	Power supply 230V/12V in weatherproof box for IR50
IRBA	Bracket for mounting of two infrared illuminators on housings (except VERSO range)
OHPVIRA	Adaptor for mounting of one infrared IR65 on VERSO and VERSO COMPACT housings



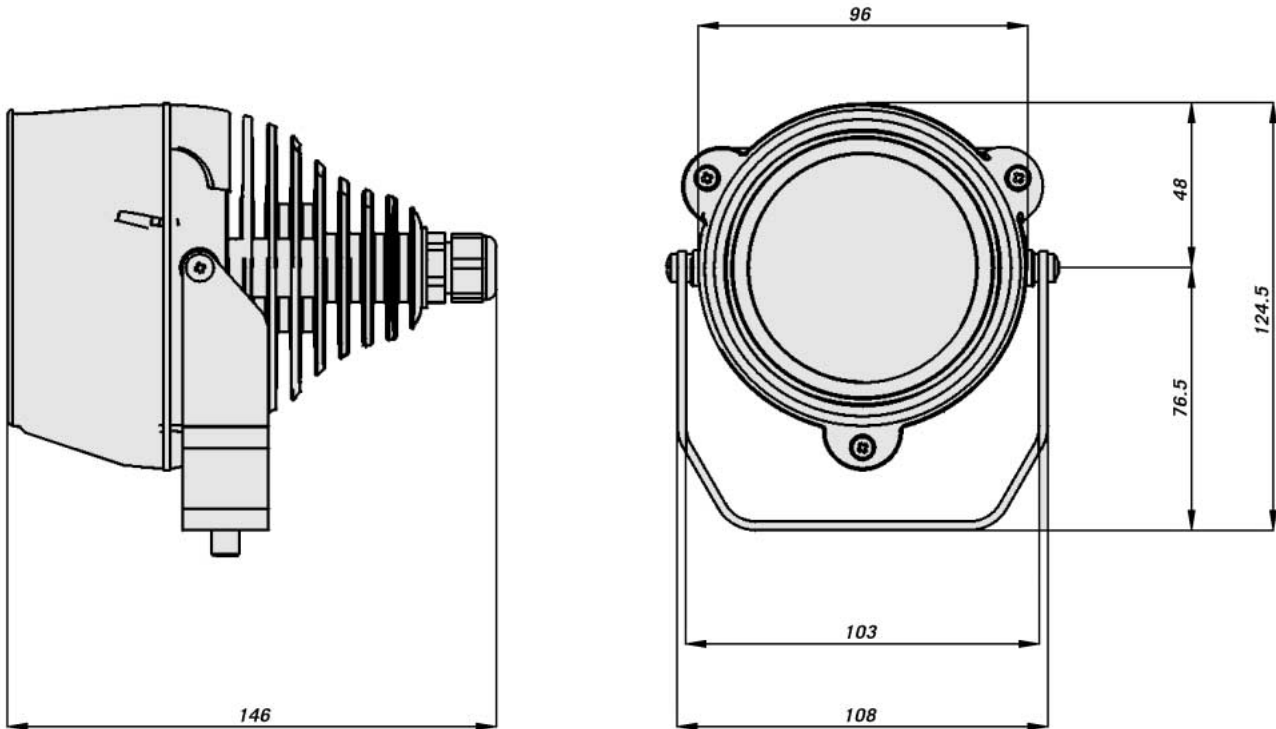


INFRARED BEAM/DISTANCE CHART

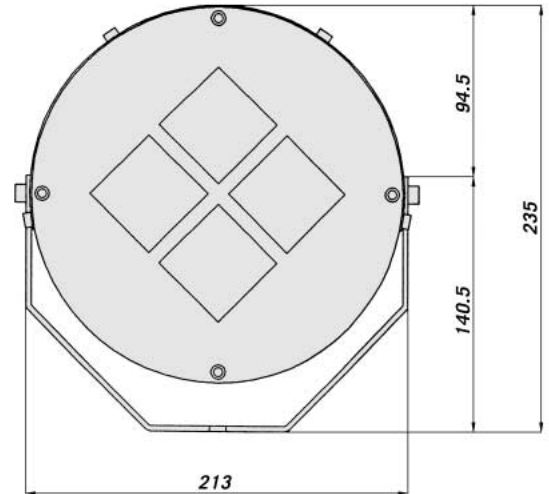
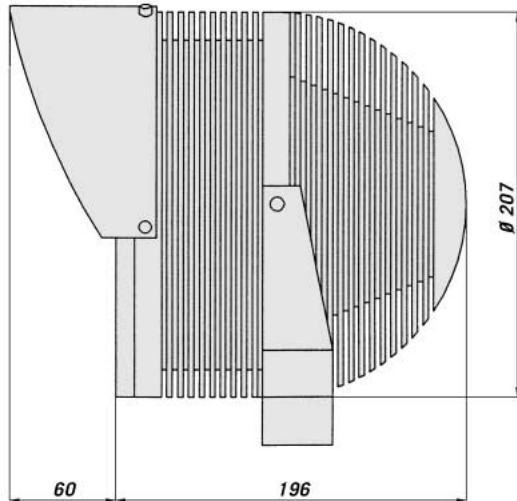
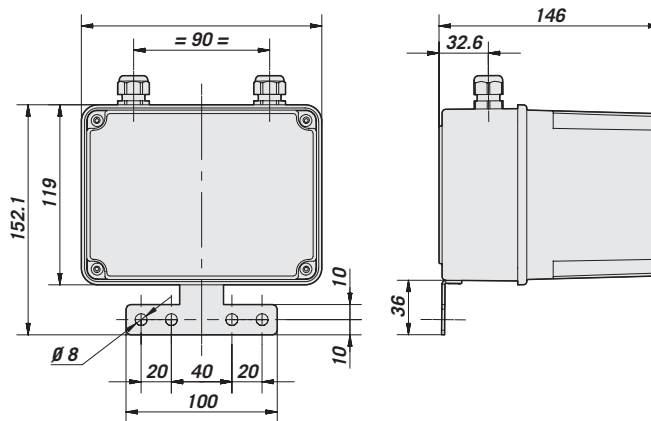
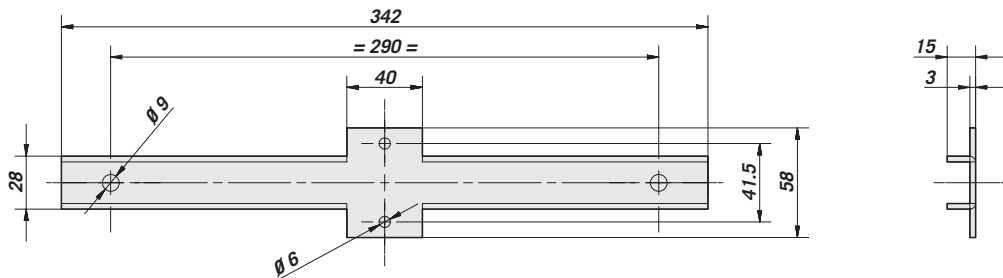
	VAC	HORIZONTAL BEAM	VERTICAL BEAM	DISTANCE (m / ft) *
IR50 spot	12	10°	10°	20 / 65
IR50 flood	12	40°	40°	16 / 52
IR50 wide	12	60°	60°	12 / 39
IR50 flood	230	40°	40°	16 / 52
IR300 spot	230	10°	8°	65 / 213
IR300 flood	230	23°	10°	50 / 164
IR300 wide	230	40°	20°	35 / 114

* Typical distance of the subject to illuminate; it depends of the reflection coefficient of the illuminated scene, camera sensitivity at IR wavelength, lens combination, etc.

IR 50



The values are in millimeters.

IR 300

IRPS12

IRBA


The values are in millimeters.



TECHNICAL DATA

GENERAL

- Die-cast aluminium body
- Black epoxy polyester powder painted
- Stainless steel screws
- Infrared beam wavelength: 850 nm
- Supplied with: instruction manual, 1,5 m of pre-wired cable

MECHANICAL

- 1 PG9 cable gland

Dimensions (BxHxL):

IR50	108x124,5x146 mm (4.2x4.9x5.7 in)
IR300	213x235x156 mm (8.3x9.26.1 in)

ELECTRICAL

IR50SP1, IR50FL1, IR50WFL1:

power supply 12V, consumption 50W

IR50FL2:

power supply 230VAC, consumption 50W

IR300SP2, IR300FL2, IR300WFL2:

power supply 230VAC, consumption 300W

ENVIRONMENT

- Indoor/outdoor
- Operating temperature: -20°C (-4°F) a +50°C (122°F)

COMPLIANCE TO

- CE in compliance with EN 60065
- IP66 (IR50)
- IP65 (IR300)

SPARE PARTS LIST

OIR12FA	Front panel IR50 complete with IR filter
OIR220	Complete wiring for IR300
OIR300FA	Front panel IR300 complete with IR filter



Unit Weight (kg / lb):

IR50: 0,9 / 1.98
 IR50 230V: 0,9 / 1.98
 IR300: 5,3 / 11.68
 IRBA: 0,6 / 1.3
 IRPS12: 2 / 4.4
 OHPVIRA: 0,3 / 0.66

Package Weight (kg / lb):

IR50: 1,1 / 2.42
 IR50 230V: 1,1 / 2.42
 IR300: 5,55 / 12.23
 IRBA: 0,7 / 1.54
 IRPS12: 2,25 / 4.96
 OHPVIRA: 0,45 / 0.99

Package Dimensions (cm / in):

IR50: 14,5x15x26,5 / 5.7x5.9x10.4
 IR50 230V: 14,5x15x26,5 / 5.7x5.9x10.4
 IR300: 23,5x31,5x24,5 / 9.2x12.4x9.6
 IRBA: 12x14x34 / 4.7x5.5x13.3
 IRPS12: 19x19x19 / 7.4x7.4x7.4
 OHPVIRA: 9,5x15,5x23 / 3.7x6.1x9

Master Carton (units):

IR50: 15
 IR50 230V: 15
 IR300: 6
 IRBA:
 IRPS12:
 OHPVIRA: