

Product Information

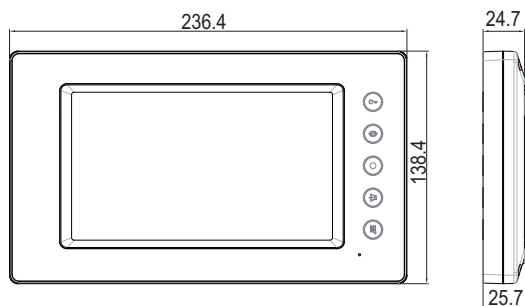
DT14 Series 2-Wire Indoor Monitor



DESCRIPTION

2-wire system 7 inch Digital Color TFT Monitor

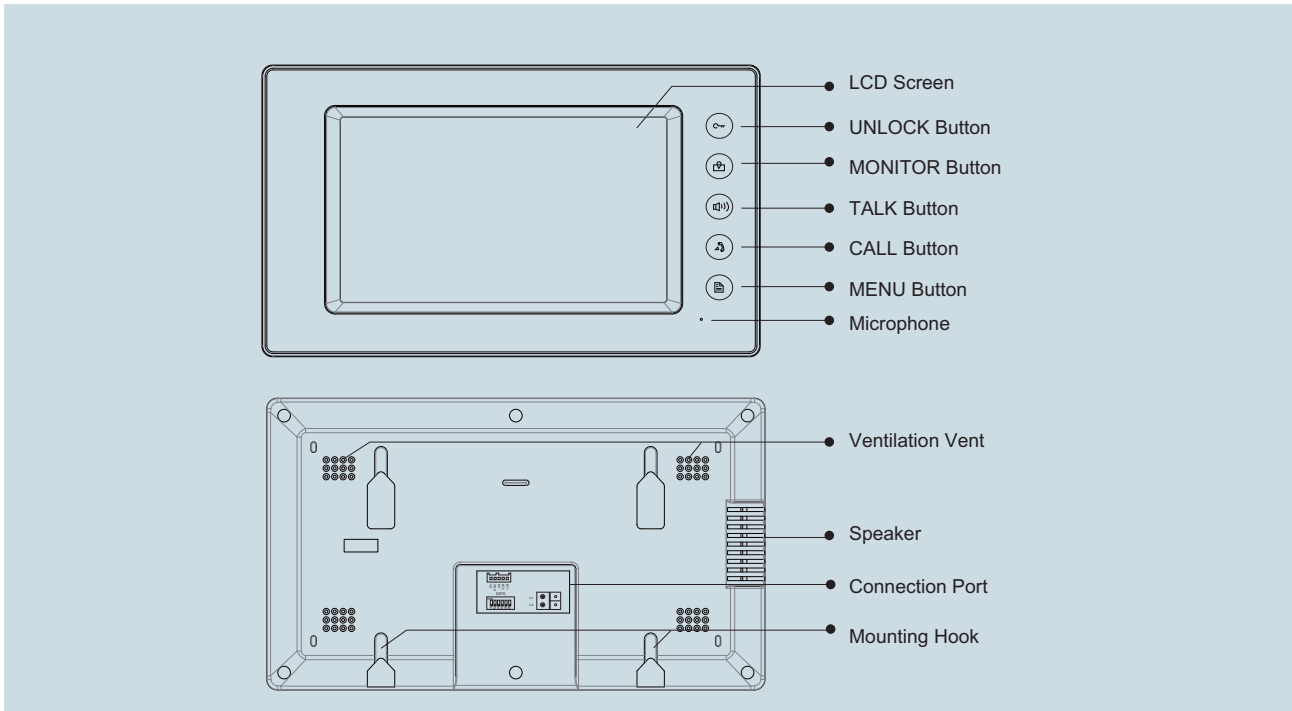
DIMENSION



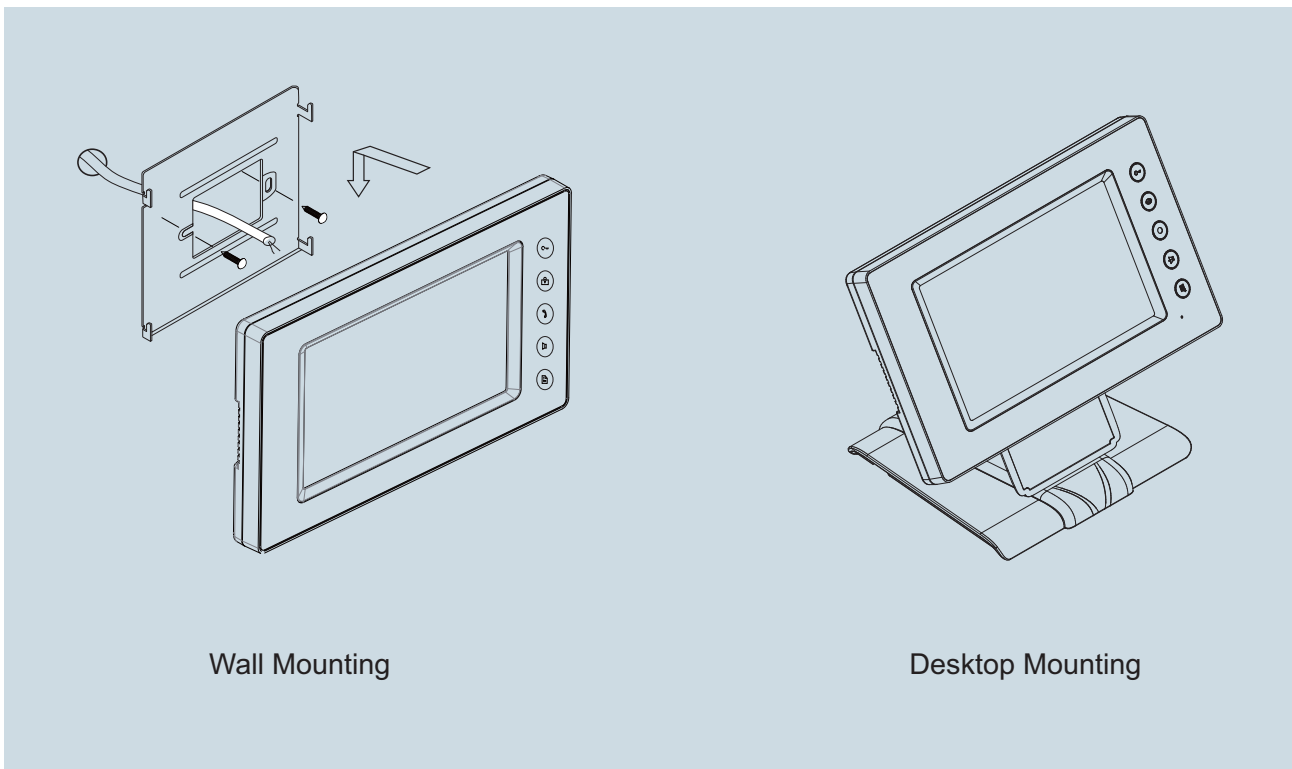
FEATURES

- ▶ Full black housing design with touch sensor button;
- ▶ Color icons menu(SD card upgrade);
- ▶ Touch screen operation;
- *1 Inner 128MB flash memory plus extended max.16G SD card external picture recording;
- ▶ 12pcs 8-chord Melodies for choose freely;
- ▶ Compatible with all DT outdoor & Indoor stations ;
- *1 Multi language & Remote controller operation(customized)

1. Parts and Functions



2. Monitor Mounting



3. Specification

- * Power Supply : DC 24V (supplied by PS4-24V or PS5-24V);
- * Power Consumption: Standby 30mA; Working status 450mA;
- * Display Device: 7" Digital TFT screen with 16:9 rate;
- * Resolution: 800*480 pixels
- * Memory: 128MB inner flash memory, SD card;
- * Picture Format: TVS (JPG);
- * Wiring: 2 wires (non-polarity);
- * Monitor Dimension: 138(H)×236(W)×25(D)mm

4. Ordering Information for Monitor



Model No.	Brief Description	Menu Style
DT14SD/TD7	7 inch digital color TFT screen monitor with touch screen operation & picture memory	Color icon(upgraded)

Remark: NTSC, PAL must be specified on monitor with picture memory function;

5. Optional Accessories (Not included)

Item	Brief Description	Remark
SD-1	SD Card	2G/4G/8G/16G
DB1-W	Desk top bracket in white color	For desktop mounting
DB1-B	Desk top bracket in black color	For desktop mounting

6. Packing Information



Dimensions: 230(H)×265(W)×63(D)mm

Gross Weight: 0.80Kg



Carton: 530 (H)×340 (W)×258 (D)mm

Quantity: 10PCS

7. App: Menu style



Color icon style (upgraded)