

- Indoor/Outdoor installation
- Universal internal bracket for several speed dome and network PTZ cameras
- Protection rating IP66
- Patented
- Fan-assisted heater



Dome housing for indoor and outdoor installations. Made of die-cast aluminium, its special design allows it to be camouflaged to look like a normal lighting system, thus allowing discreet surveillance of the area. The lower hemisphere is available in a semitransparent black or fully transparent polycarbonate, with excellent shock-proof features.

Thanks to its patented top-opening system, the installation of the speed dome or the network PTZ camera is extremely easy.

The housing and its accessories allow it to be attached to the wall allowing for internal passage and protection of the cables.

The DBH18 internal brackets have been designed in such a way that the installed camera travels parallel to the arc of the screen of the polycarbonate bubble, so minimizing picture distortion. Such bracket can be adjusted allowing the installation of several speed domes and PTZ network cameras

The dome is standard supplied with sunshield and fan-assisted heater, or with cooling system, while the internal camera bracket is separately supplied depending on camera power supply.



MEDUSA ADAPTORS

	Models	ODBH18H110	ODBH18H210	ODBH18H111	ODBH18H211	ODBH18H112
Power supply		115-230V AC, 50/60Hz	24V AC/DC, 50/60Hz	230V AC, 50/60Hz	24V AC, 50/60Hz	115-230V AC, 50/60Hz
AXIS	213	•	•			
	214	•	•			
	215	•	•			
	231, 232			•	•	
	233D				•	•
JVC	TK-C676			•	•	
PANASONIC	BB-HCM381	•	•			
	WV-NS202	•	•			
	WV-CS954			•	•	
SANYO	9300P			•	•	
SONY	SNC-RZ25P	•	•	•	•	
	SNC-RZ50P	•	•			
TOSHIBA	IK-WB21A	•	•			
	IK-WB21E	•	•			

MEDUSA

Models	
ODBH18H110	Camera adaptor supplied with 115/230V AC fan-assisted heater and camera power supply IN 115-230V AC, 50/60Hz, OUT 12V DC, 3A max
ODBH18H210	Camera adaptor supplied with 24V AC fan-assisted heater and AC/DC camera power supply IN 24V AC/DC, 50/60Hz, 3.5A, OUT 12V DC, 2A max
ODBH18H111	Camera adaptor supplied with 115/230V AC fan-assisted heater and camera power supply IN 230V AC, 50/60Hz, 0.5A, OUT 24V AC, 2A max
ODBH18H211	Camera adaptor supplied with 24V AC fan-assisted heater
ODBH18H112	Camera adaptor supplied with 115/230V AC fan-assisted heater and camera power supply IN 115-230V AC, 50/60Hz, 1A, OUT 24V DC, 1.5A max

TECHNICAL DATA

GENERAL

Built in die-cast aluminium, RAL9002 colour
 Lower hemisphere in polycarbonate: semitransparent black (DBH18K0F022) or transparent (DBH18K0F028)
 Sunshield in plastic material, RAL9002 colour

MECHANICAL

External dimensions with sunshield \varnothing 351x335mm (\varnothing 13.8x13.1in)
 4 cable-glands: 3xM16, 1xM12
 Supplied with instruction manual, cable glands and protection gasket

ELECTRICAL

Fan assisted heater, Ton 15°C +/-3°C (59°F +/-5°F) Toff 22°C +/-3°C (71°F +/-5°F)

- IN 24V AC, consumption 24W max each
- IN 230V AC, consumption 44W max each

Camera power supply included with internal adapter

- IN 115/230V AC, 50/60Hz, OUT 12V DC, 3A max
- IN 115/230V AC, 50-60Hz, OUT 24V DC, 1.5A max
- IN 230V AC, 50/60Hz, OUT 24V AC, 2A max
- IN 24V AC, 50/60Hz, OUT 12VDC, 2A max

RELATED PRODUCTS

- DBH06** Cable management wall mount
- PTCC** Pole adapter for DBH06
- WCWGC** Corner adapter for DBH06

ENVIRONMENT

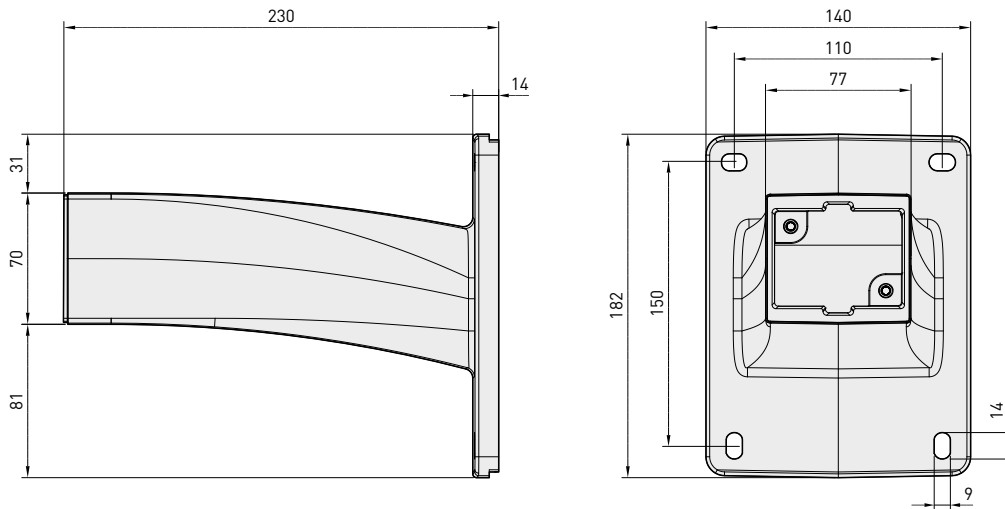
Indoor / Outdoor
 Operating temperature with standard fan-assisted heater: -20°C / +50°C (-4°F / +122°F)

COMPLIANCE TO

CE according to EN61000-6-3, EN 60950, EN50130-4
 Impact resistance IK10 according to EN 50102
 UL certification pending
 IP66 according to EN 60529

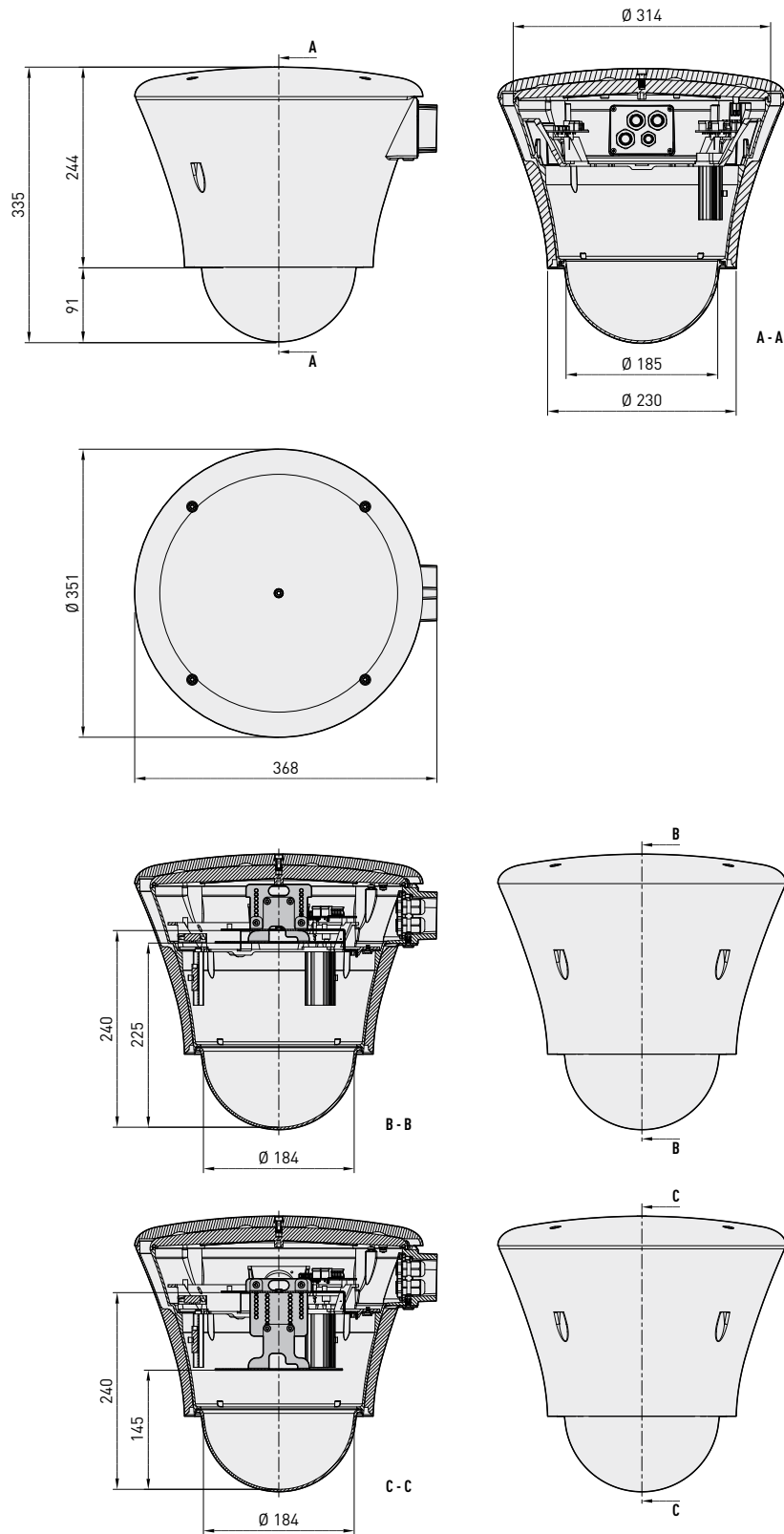
SPARE PARTS LIST

- OPLEX18F** Smoked bubble
- OPLEX18T** Transparent bubble



The values are in millimeters.

	Unit Weight: DBH18K 3.8kg / 8.3lb	Package Weight: DBH18K 4.2kg / 9.3lb	Package Dimensions (BxHxL): DBH18K 38.5x38.5x47cm / 15.1x15.1x18.5in	Master Carton: DBH18K -
--	--	---	---	--



The values are in millimeters.